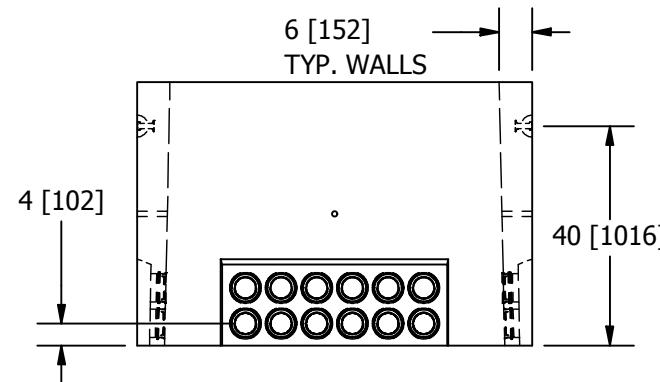
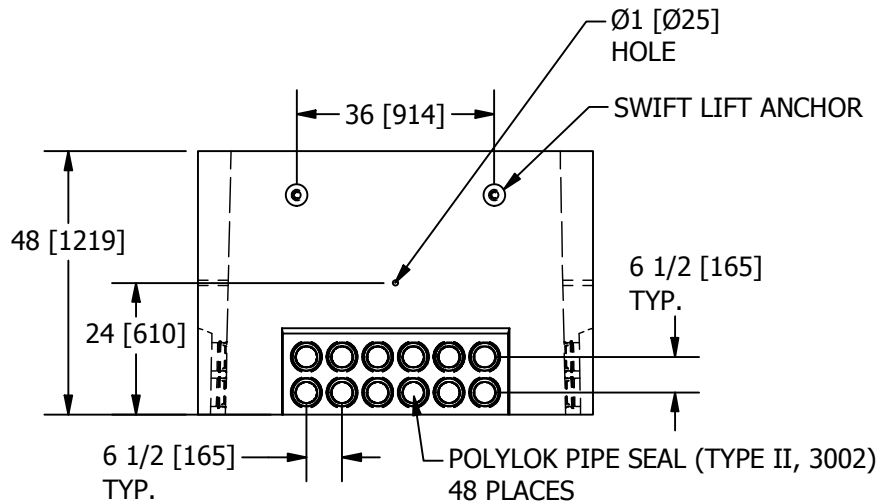
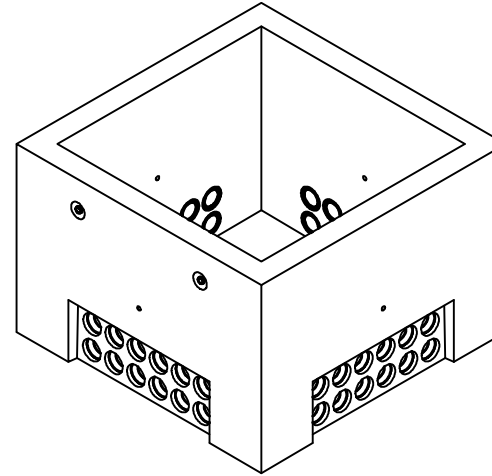
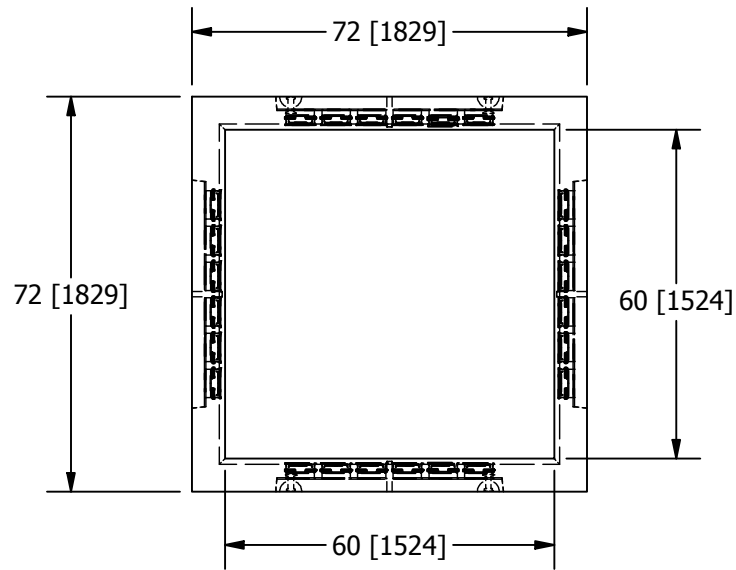




www.babcocksupply.ca
 10357 Base Line Dresden, ON
 Tel: (519) 683-2696
 Fax: (519) 683-2548



CONCRETE: 35 MPa 5-8% Air Entrainment
DESIGN: CSA A23.4
STEEL REINFORCEMENT: 4"x4" W2.9/W2.9 WWF Complies with ASTM A 1064
FIBRE REINFORCEMENT: Synthetic Macro Fibre, ASTM C1116
PRODUCT DETAIL: MODEL: HYD-003-P TOTAL WEIGHT: 2351 kg CONCRETE EXPOSURE CLASS: F1 OUTSIDE DIMENSIONS: 1829mm x 1829mm x 1219mm (H)

NOTES: REINFORCING CONCRETE COVER: 40mm PRODUCT LABEL: HYD-003-P LIFTING SYSTEM: SWIFT LIFT STRIPPING STRENGTH: 18 MPa ACCOMMODATES PIPE SIZES: 50mm-100mm
--

TITLE: TRANSFORMER FOUNDATION THREE PHASE WITH PIPE SEALS
--

REV: 1.0	SHEET SIZE: A
SHT # 1	DATE: April 30, 2018